

# LOM

## Light Operation Microscope



*Position the microscope as required*

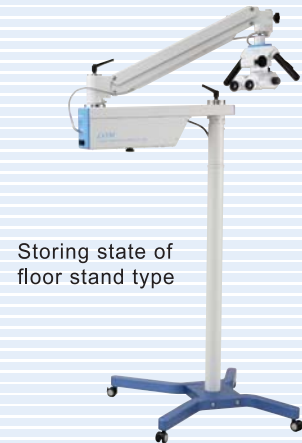
Newly developed One Touch Clamp and well-balanced pantograph arm make easy to adjust optic's angle and position. It enables airy operation.



**LOM-100**  
Oblique with floor stand

### FEATURES

- Airy operation
- Sharp image
- High eye point
- Beam splitter is incorporated
- Compact storage



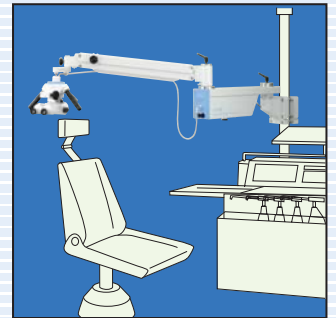
### VARIATIONS

Optics: Oblique type

Optics: Straight type

Floor stand type

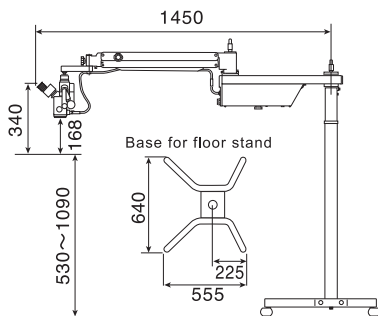
ENT unit attachment type



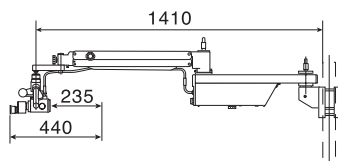
LOM-100 : Oblique type  
LOM-110 : Straight type

LOM-110ENT

Oblique with floor stand type



Straight with ENT unit attachment type



### SPECIFICATIONS

Optics						
Type	Straight			Oblique		
Pupillary distance range	50~75mm					
Magnification changes	3 steps					
Objective lens						
Objective lens	f = 250mm			f = 175mm		
Total magnification	3.6X	6.0X	10.3X	5.0X	8.3X	14.2X
Visual field	φ42	φ25	φ15	φ31	φ18	φ11
Working distance	235mm			168mm		
Light source						
Type	Coaxial cold-light illumination by light guide					
Lamp	12V-75W Halogen lamp					
Primary voltage	AC120V/230V 50/60Hz					
Power consumption	Maximum 150VA					
Arm						
Type	Single pantograph arm					
Focusing range	Manual 30mm					
Vertical stroke range	540mm					

Contents and specifications in this catalogue are subject to change without notice.

Manufacturer:

**KONAN MEDICAL, INC.**

10-29, Miyanishicho, Nishinomiya, Hyogo 662-0976, JAPAN  
Tel. 81-798-36-3455 Fax. 81-798-33-0334



<http://www.konan.com/>